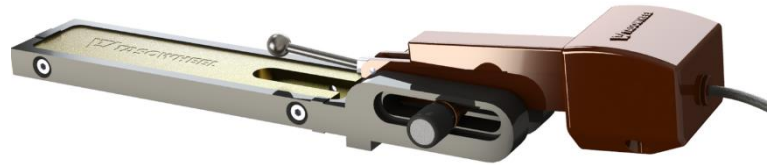


Digital slice lip measuring device

is designed to adjust and measure the slice lip of the headbox.

Customer benefits:

- *Display is easy to read, also in low light.*
- *All measurement values easy to save up one by one.*
- *Measurement values can move to PC via USB*
- *Direct backlash indication.*
- *Measures at same time with actuator movement.*
- *Excellent repeatability*
- *Resolution 10 μ m.*
- *Straightness of slice lip is easy to adjust by using zero mode.*
- *Easy to set up, without tools.*



The device is directly ready to be used after a quick set up process. All parts have their own places in the storing box.



Quick start guide

Device has precalibrating by the supplier. But it can be done any time again by using slice gap program.

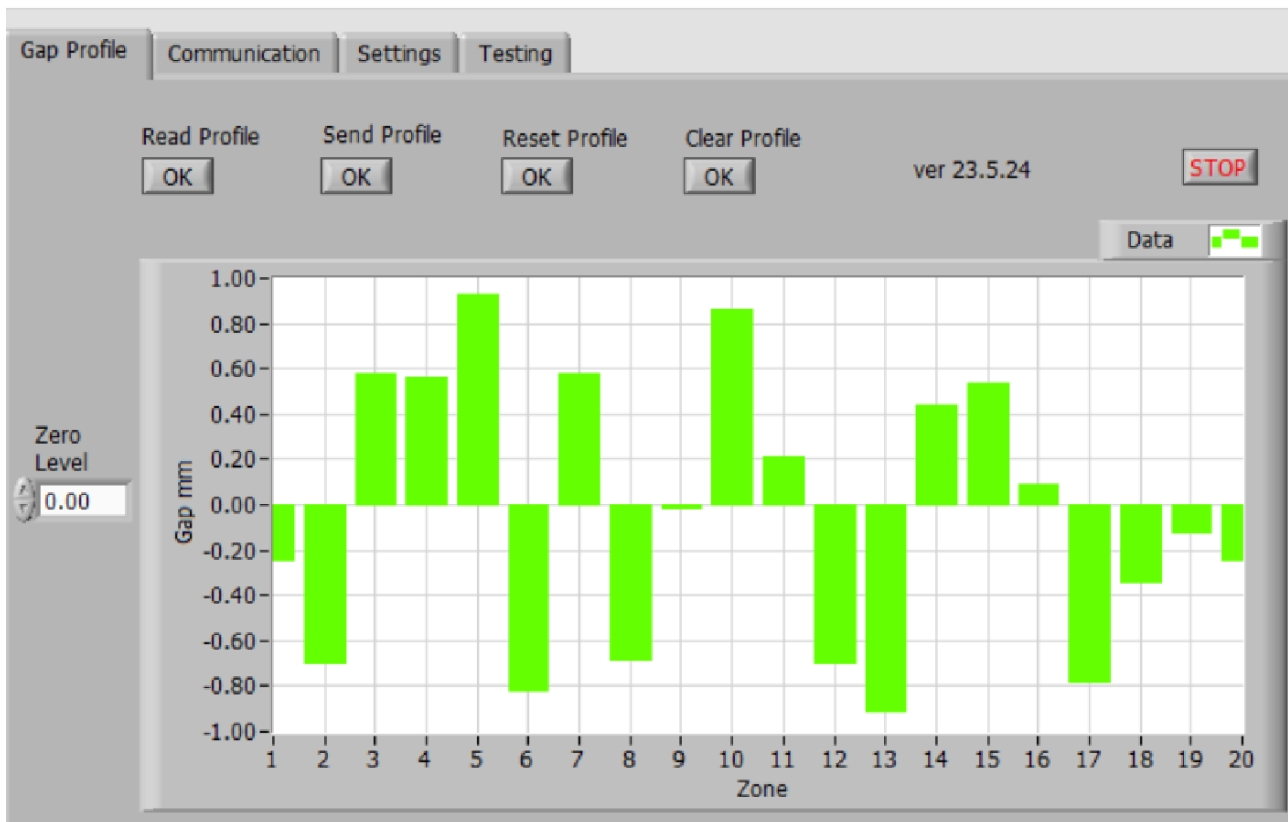
- Connect measuring unit to the remote-control unit.
- Device is now ready to use.
- Save all values one by one to the control unit.
- Note: Index of the control unit roll forward after every save.

You can roll index any time back- and forward and save values to it.

- By rolling backward or forward you can see the saved value about 3 seconds. After, the measuring value comes back.

Save to PC

- Connect the USB-cable from PC to measuring unit.
- Open slice gap program.
- Set right serial port to communication sheet.
- Read profile from control unit.
- Set new zero level if needed.
- Reset profile if needed.
- Send zero profile to control unit. Device is ready to zeroing slice lip.

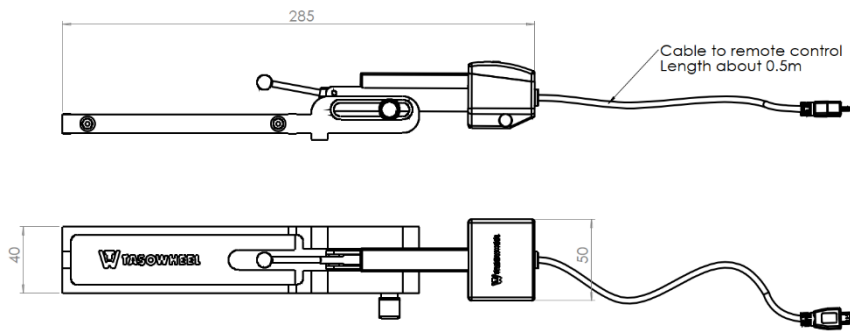


Main screen of the slice gap program.

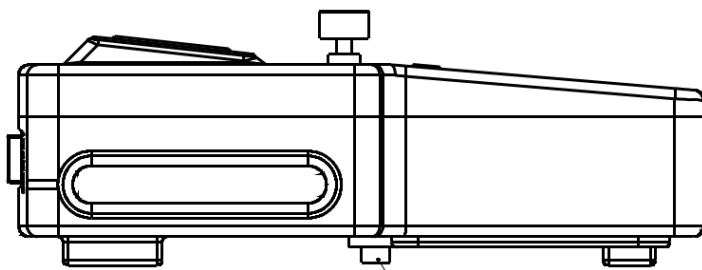
Reset profile: This help to adjust the slice lip zero position.

Technical data

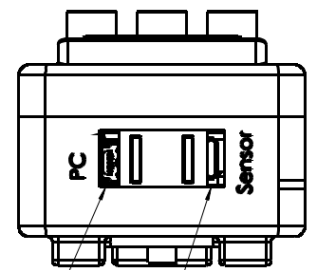
Measuring range	+2.5mm
Resolution	0.01 mm
Minimum measuring height	13mm
Measurin heights:	13-60mm



Measuring unit

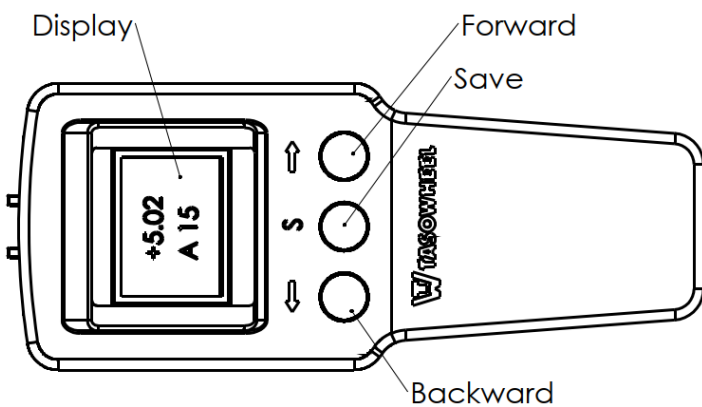


Fastening screw for battery



Connector for PC

Connector for measuring device



Control unit

Benefits compared to traditional wedges:

- *Results are not dependent on the user's measuring style.*
- *Does not cause damage to the slice lip.*
- *Much more accurate scale*
- *Backlash is possible to detect.*
- *Measurement can be saved one by one and analysed on PC.*
- *Digital light in use*
- *Real time measuring, without having to adjust the device, while an actuator is moving.*

